

TPS079-150 - 21837

Square container with safety closure, transparent

Product specifications

Material:	PP
Volume:	150,0 ml
Weight:	7,8 gr
Length:	79 mm
Width:	79 mm
Height:	41 mm



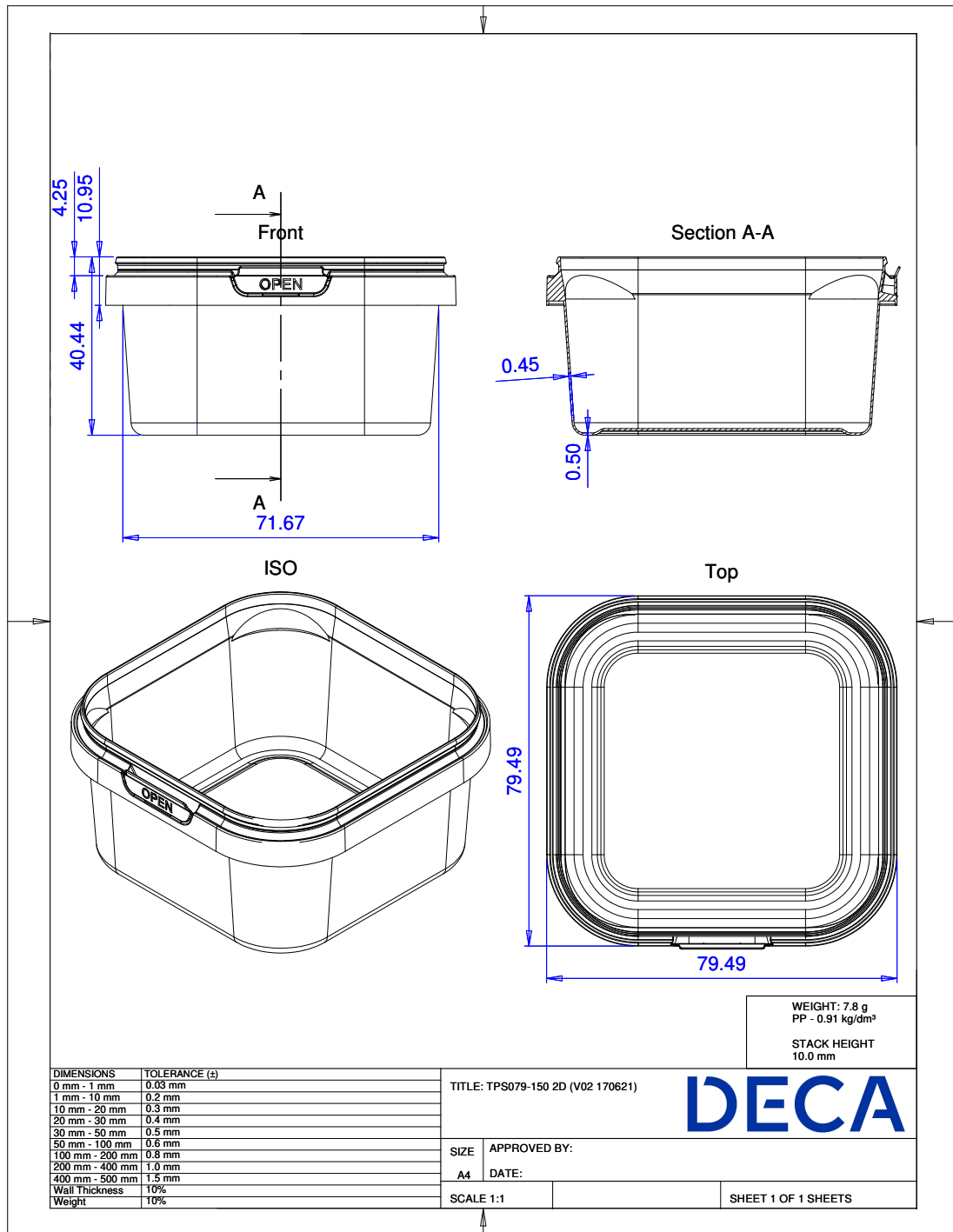
Packaging

Primary:	Blue bag for TP/TPS/Tray/Neutral box # in primary packaging: 980 pieces
Secondary:	# primary in secondary packaging: 1 piece Weight gross: 8564,8 gr
Tertiary:	Europallet, 150x1200x800 # in tertiary packaging: 24 boxes = 23.520 pieces Weight gross: 225.555,2 gr Standard height: 2.160 mm

Uses / Certificates

Storage conditions:	Keep out of direct sunlight, keep dry, store in original closed packaging, at ambient temperature, relative humidity between 40 and 70%.
Expiration:	We recommend to use the products within 1 year after purchase. We can not be held responsible for use after this period.
Document retention:	3 years after purchase

All our products adhere to Regulation (EC) 1935/2004 and Regulation (EU) 10/2011 incl. amendments.



All our products adhere to Regulation (EC) 1935/2004 and Regulation (EU) 10/2011 incl. amendments.