

SPECIFICATION SHEET

28132



BARREL
60236

LID # 63369
-04 with gasket

steel ring # 67028

TECHNICAL DATA

Capacity under lid:

134.8 L / 35.61 US gal.

Wall thickness:

Barrel: (0.145 in.)

Lid: (0.146 in.)

Materials: HDPE

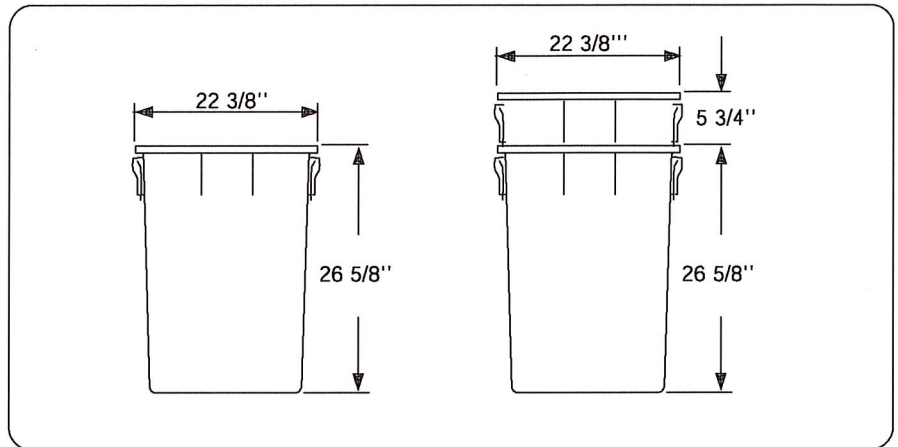
Thermal range:

-38 C (-36 F) to 82 C (180 F)

Standard color : white.

Other colors upon request

**Metal handle made of 1 gauge
galvanized steel**

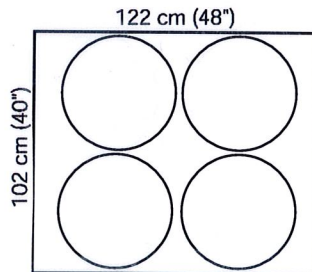


(Materials are recyclable or can be recovered for energy)

TOP LOADING RESISTANCE

IPL recommends to make necessary testing prior to full production.

PALLETIZATION OF FILLED BARRELS



4 barrels per layer
40 units per pallet

RECOMMENDATIONS

- Do not exceed pallet edges with barrels
- Staggered pattern is recommended for greater stability
- Double faced pallets with close together boards on both sides are recommended for best results
- Stretch wrapping machine tension should be adjusted to barrel.

Approved by: *Stéphane Mercier*

Approvals: Virgin materials are approved for food contact and meet FDA (Food and Drug Administration USA) and HPB (Health Protection Branch Canada) regulations.

Advise: Handling conditions vary a lot from customer to customer, tests are recommended throughout the process of denesting, filling, conveying, palletization, warehousing, transportation and utilization by end users, etc. Specifications can be modified without notice. Please contact your IPL representative to confirm these data.

Quality Assurance: IPL is ISO 9001 certified and quality procedures are documented in our quality system



iel LACHANCE
www.iel-lachance.com

Industries Émile Lachance Itée
424, route 279
Saint-Damien, QC Canada G0R 2Y0

Tél. /Phone: 1 800 463-8877
Télé. / Fax: 1 800 463-6080
info@iel-lachance.com

IPL inc.

140, rue Commerciale
Saint-Damien, QC Canada G0R 2Y0
Tél. /Phone: 418 789-2880
Télé. / Fax: 418 789-3153