



SAFE, CONVENIENT & GREAT BRANDING VALUE

A tamper-evident system that offers a unique integrity indicator, increasing product safety while adding shelf appeal. Ideal for a wide range of application such as dairy, deli, confectionary, nutritional supplements, detergents, etc.

KEY FEATURES AND BENEFITS

- Intuitive pull-tab, single-motion lid opening
- Easy handling with built-in handles
- Stable in a stack
- Up to 40% more containers on a pallet vs. round
- Tamper-evident system & film-sealable container
- Added branding value through photo-quality IML
- Microwave and dishwasher safe

TECHNICAL SPECIFICATIONS

CONTAINERS

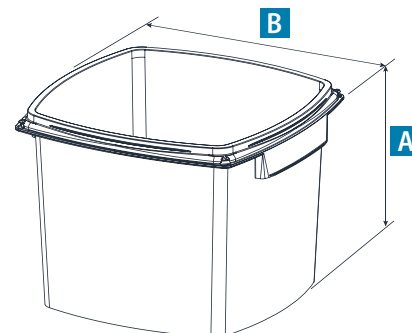
PRODUCT CODE	MODEL	DECORATION OPTIONS*		UNDER LID CAPACITY		APPROX. WEIGHT		A OVERALL HEIGHT		B OVERALL WIDTH		ITEMS PER BOX	BOXES PER PALLET	ITEMS PER PALLET
		IML	Offset	US fl.oz.	ml	oz.	g	in.	mm	in.	mm			
22064	64 oz. / 2 L	✓	W/P	74.05	2,190	2.29	64.8	4.95	125.7	6.68	169.7	150	21	3,150
22564	84 oz. / 2.5 L	✓	W/P	88.25	2,610	2.72	77.0	5.90	149.9	6.57	166.8	144	21	3,024

LIDS

PRODUCT CODE	MODEL - ASSOCIATED CONTAINERS	DECORATION OPTIONS		APPROX. WEIGHT		A HEIGHT		B WIDTH		ITEMS PER BOX	BOXES PER PALLET	ITEMS PER PALLET
		IML	Offset	oz.	g	in.	mm	in.	mm			
20163	Film Seal version / Fits All sizes of containers	✓		0.74	21.0	0.57	14.4	6.47	164.4	636	28	17,808
20164	Regular Tamper-Evident / Fits all sizes of containers	✓		0.69	19.5	0.38	9.60	6.46	164.1	600	28	16,800

COLOR OPTIONS

BASE COLORS	STANDARD COLORS	OTHER COLORS
Natural 000	Yellow 012	Available upon request
White 001	Orange 021	
Clear 002	Red 485	
	Green 377	
	Blue 293	
	Black 099	



* W = WRAP AROUND
P = PANEL LABEL

1-800-647-0602
ipl-plastics.com



CERTIFICATIONS

The raw materials used are tested according to ASTM standards for polymers, are approved for food contact and meet FDA (Food and Drug Administration, USA) and HPB (Health Protection Branch, Canada) regulations.



MATERIAL

Containers, lids and IML labels are made of 100% recyclable polypropylene (PP).



MINIMUM ORDERS INFORMATION

For details on minimum order quantities or for any other additional information, please contact IPL customer care at 1-800-647-0602 or visit our web site at www.ipl-plastics.com.

RECOMMENDATIONS

Handling conditions vary from customer to customer. We recommend validating your processes (filling, conveying, warehousing and any others that might affect the purchased part) prior to use. Product usage temperature is between -9.4°F (-23°C) and 179.6°F (82°C) depending on resin grade.

WARRANTIES

Some chemicals can affect the integrity of the product. Any product requiring a Safety Data Sheet (SDS) has to be submitted and approved by IPL. If buyer fails to adhere to this clause, the related product guarantees will be void.

Specifications may vary slightly over time. Please contact your IPL representative to ensure you have the most recent information.

The information presented herein was prepared at IPL Inc. by qualified technical personnel. To IPL's knowledge, it is true and accurate. However, the information and recommendations are furnished for these products with the understanding that the purchaser or user will independently determine that the product is suitable for the intended use, and that such use, complies with all applicable laws and regulations. The data represents typical values submitted only for the user's information and consideration and does not constitute a warranty of any kind.

ABOUT

IPL inc. Consumer Packaging Solutions is a division of IPLP Group. To learn more, visit www.iplpgroup.com.

PROJECT?

Not sure you found what you need?

Need a custom design?

Get in touch with one of our retail and consumer packaging expert!

info@ipl-plastics.com

www.ipl-plastics.com