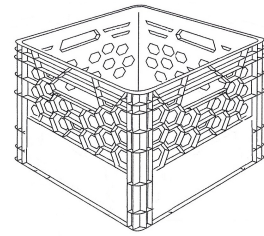


# LACTO CRATE

## 24 LITRES

### No. 60329



### RAW MATERIAL

Material: High density polyethylene  
Standard color: Black  
Other colors on request  
(minimal quantity: 2 000 units)

### WALL THICKNESS

0.26 cm (0.100 in.)

### STANDARD WEIGHT

1.30 kg (2.89 lb)  
(± 2%)

### RATIO

Stacking: 1.03 : 1

### PACKING

#### SHIPPING

Pallet dimensions:  
134.6 cm x 101.6 cm x 233.7 cm H  
53 in. x 40 in. x 92 in. H  
Volume/pallet: 3.19 m<sup>3</sup> (112.87 ft<sup>3</sup>)  
Weight/pallet: (pallet not included)  
124.8 kg (277.3 lb)  
Quantity/pallet: 96  
Quantity/truckload: 2 592

Note: All pallets are stretch-wrapped to protect from dust.

### TOP LOADING RESISTANCE

622 kg (1 371 lb) @ 23° C/30 days

### THERMAL RESISTANCE

From -40°C (-40°F) to 39°C (102°F)

### APPROVALS

Materials are food approved and meet FDA (Food & Drug Administration-USA) and HPB (Health Protection Branch-Canada) standards.  
Made accordingly to SPC (Statistical Process Control) standards.

### PHOTO



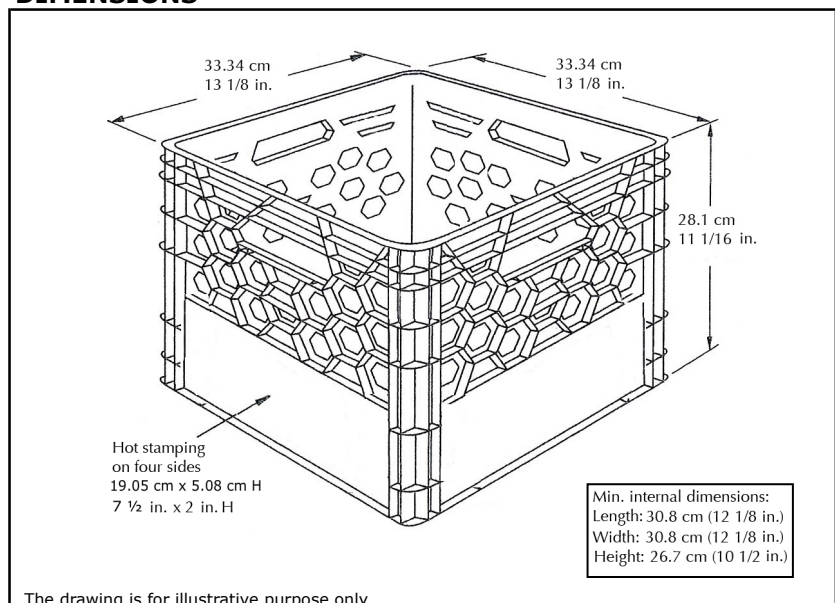
### CAPACITIES

Volume	Litres	Gallons	
		Imp.	US
Full	25.50	5.61	6.74
In use	23.96	5.27	6.33

PRODUCT DENSITY g / cm <sup>3</sup>	MAXIMUM WEIGHT HANDLED	
	kg	lb
0.5	11.98	26.41
0.6	14.38	31.69
0.7	16.77	36.98
0.8	19.17	42.26
0.9	21.56	47.54
1.0	23.96	52.82
1.1	26.36	58.10
1.2	28.75	63.39
1.3	31.15	68.67
1.4	33.54	73.95
1.5	35.94	79.23

SECURE RECOMMENDED  
WEIGHT/ BOX: 20 kg (45 lb)

### DIMENSIONS



The drawing is for illustrative purpose only



Tél./Phone: 1 800 463-8877  
Télé./Fax: 1 800 463-6080  
[info@iel-lachance.com](mailto:info@iel-lachance.com)